



T322LEDB

22" SKYLINE SERIES

JOB INFORMATION

Type: _____
 Catalog No: _____
 Project Name: _____
 Comments: _____
 Prepared by: _____

T322LED

FEATURES

USE OF PRODUCT

The Skyline LED luminaire delivers exceptional performance in a sleek low profile design with various lumen and optical distribution options. The intended use of this product is for building areas, parking lots, auto dealerships, roadways, walkways, pedestrian pathways, and security lighting.

CONSTRUCTION

Die-cast aluminum fixture with isolated driver compartment and finned heat sink keep electrical temperatures in suitable ratings for optimal performance.

FINISH

Bronze matt-finished, architectural powder coat over a precise chromate conversion coating. Consult factory for made to order architectural finish.

ELECTRICAL

≥0.9 Power Factor
 <20% Total Harmonic Distortion
 120V-277V 50/60Hz
 -40°C Min. Temperature
 +45°C Max. Temperature
 EPA=0.988 ft²

LED

Standard LED driver with 0-10V dimming. Shipped with 10KV surge protection. Optional photocontrol or PIR (motion) sensor available upon request for further energy savings and security measures. Consult factory for PIR setting capabilities.

DRIVER

Durable LED driver operates at 120-277V with 0-10V dimming protocol. Power factor: 0.90; 50 to 60 Hz. Driver protections includes: Output open load, over-current and short-circuit, and over-temperature with auto recovery. -30°C Min Temp. to 40°C Max Temp.

OPTICS

Precisely designed optics to maximize distribution, efficiency, and spacing. UV resistance polycarbonate lens available in Type III (standard), Type IV or Type V distribution patterns. Offered standard in 4000K CCT in 72+ CRI. Optional 3000K, 3500K, or 5000K CCT available upon request.

MOUNTING

Round/square pole arm mount with quick mount design for ease of installation, wall

mount, or adjustable slipfitter available upon request. Fixture pole must be mounted on a concrete base (supplied by others).

EPA

Effective projected area (Sq. Ft): 0.988ft²

WARRANT

5 year limited warranty.

LISTINGS/COMPLIANCE

UL/cUL Wet Location Listed
 DesignLights Consortium Qualified™

ORDERING INFO

SERIES	WATT/LUMENS	VOLTAGE	COLOR TEMPERATURE	DISTRIBUTION TYPES	MOUNTING	FINISH
T322LEDB	250 - 250W/35000lm	UNV ¹ - 120V-277V	40 - 4000K	T3 ³ - Type III	AMR - Arm mount round	BZ - Bronze
	300 - 300W/40000lm	347V ² - 347V	MTO - Made to order	T4 - Type IV	AMS - Arm mount square	MTO - Made to order
		480V ² - 480V		T5 - Type V	WM - Fixed wall arm mount	MGTO - Marine grade Made to order
					SF - Slipfitter	
					SB - Swivel bracket	
					YM - Yoke Mount	
					TWMB-SF ⁴ - Wall mount bracket with slipfitter	
					TWMB90-SF ⁴ - Wall mount 90° bracket with slipfitter	

OPTIONS

- PC - Photocell 120-277V
- PN - Photocell NEMA
- MS - Motion Sensor (Bi-Level)
- HS⁵ - House side shield
- FC⁵ - Dark sky full cut-off shield
- BS - Bird spikes

Notes

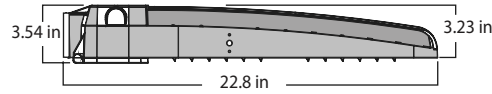
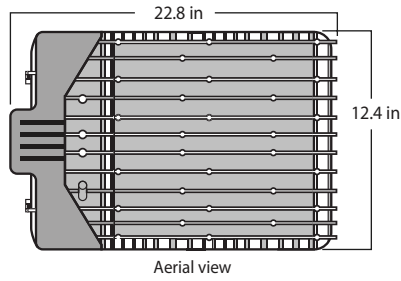
1. DLC only available in 120-277V
2. Dedicated driver.
3. Standard distribution type.
4. Bracket with 2-3/8" O.D. Tenon.
5. Dark Sky Compliance when ordered with House side shield and Arm mount round/square.



T322LEDB

22" SKYLINE SERIES

DIMENSIONS



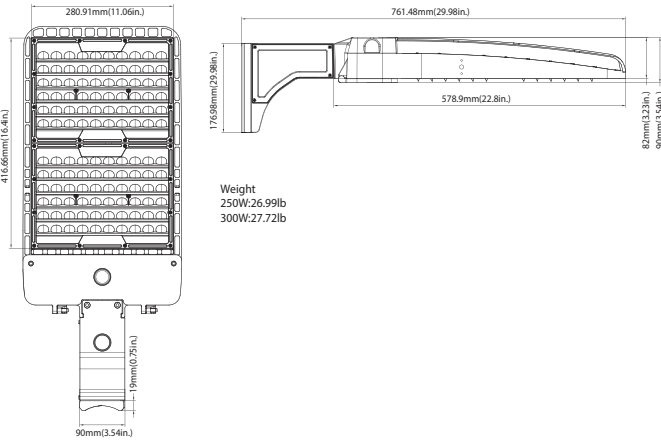
Weight: 17 lbs

B-U-G Rating

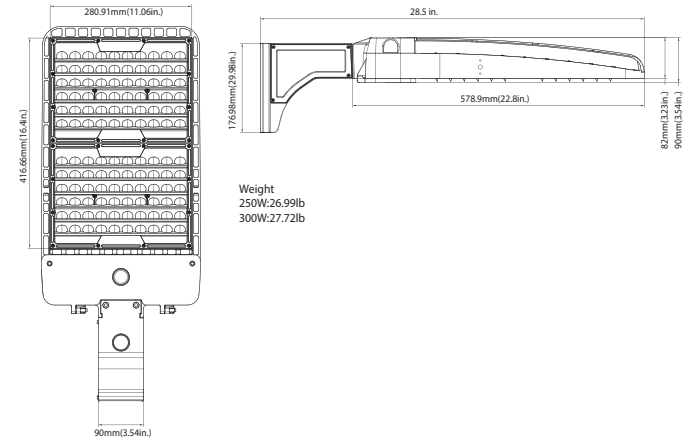
Watts	Dist. Type	B	U	G
250W	Type III	4	0	4
250W	Type III	4	0	4

MOUNTING DIMENSIONS

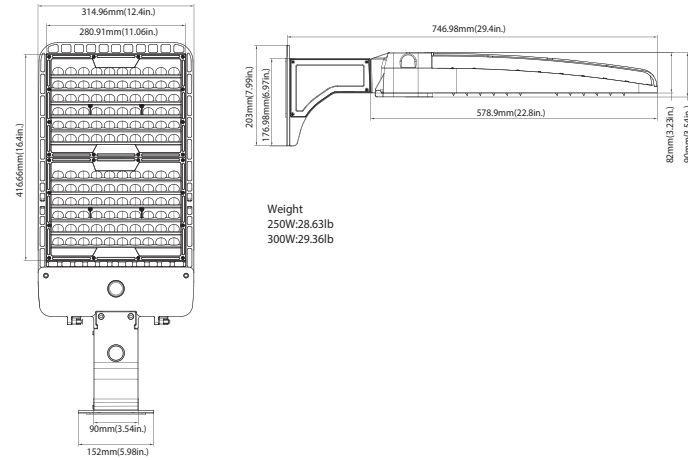
AMR - ARM MOUNT FOR ROUND POLE



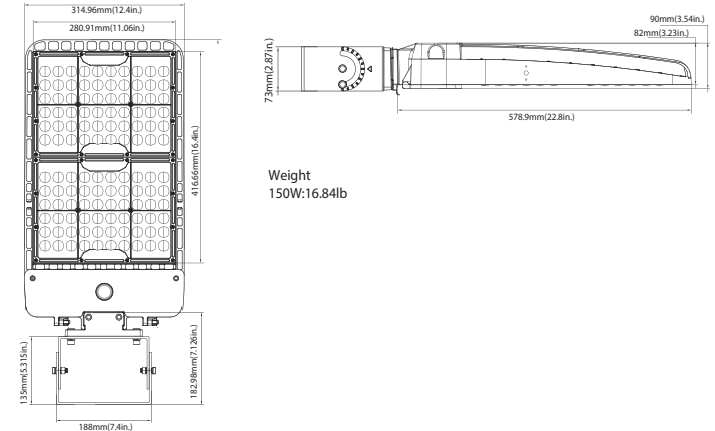
AMS - ARM MOUNT FOR SQUARE POLE



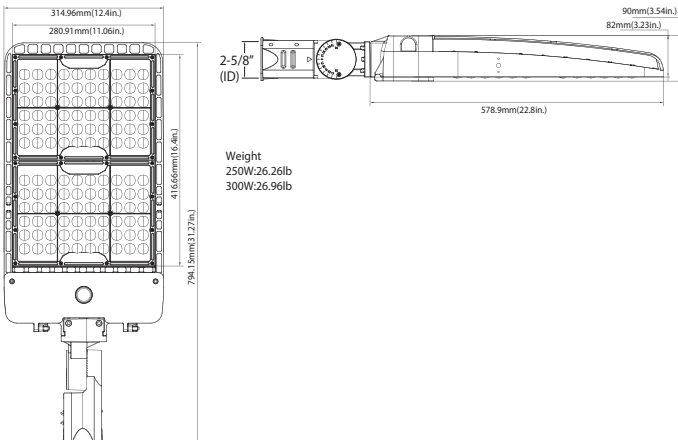
WM - FIXED WALL ARM MOUNT



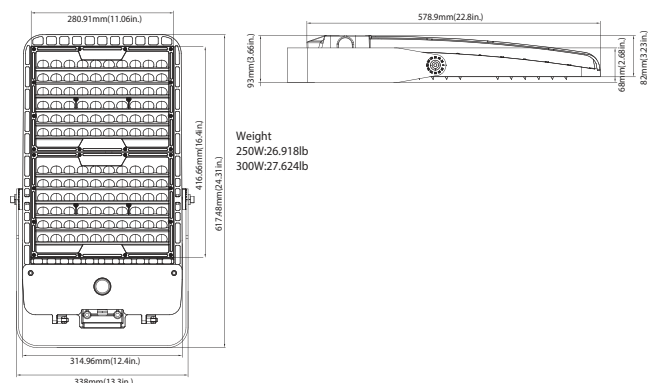
SB - SWIVEL BRACKET



SF - SLIPFITTER



YM - YOKE MOUNT

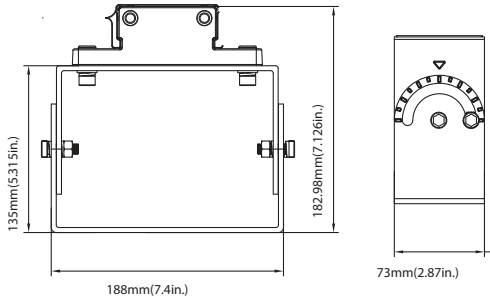


T322LEDB

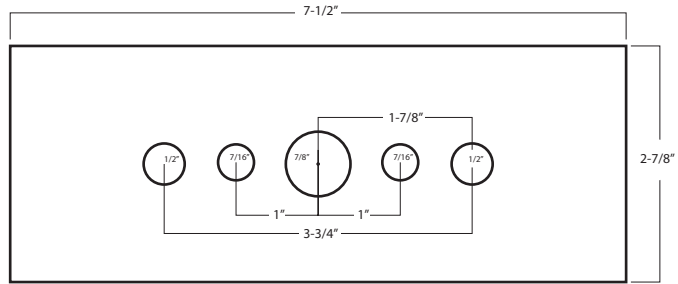
22" SKYLINE SERIES

SWIVEL BRACKET

DIMENSIONS

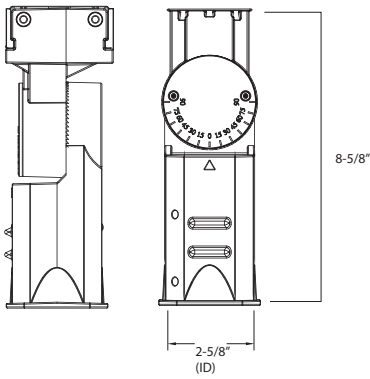


DRILL PATTERN



SLIPFITTER

DIMENSIONS



SLIPFITTER POLE DIMENSIONS

